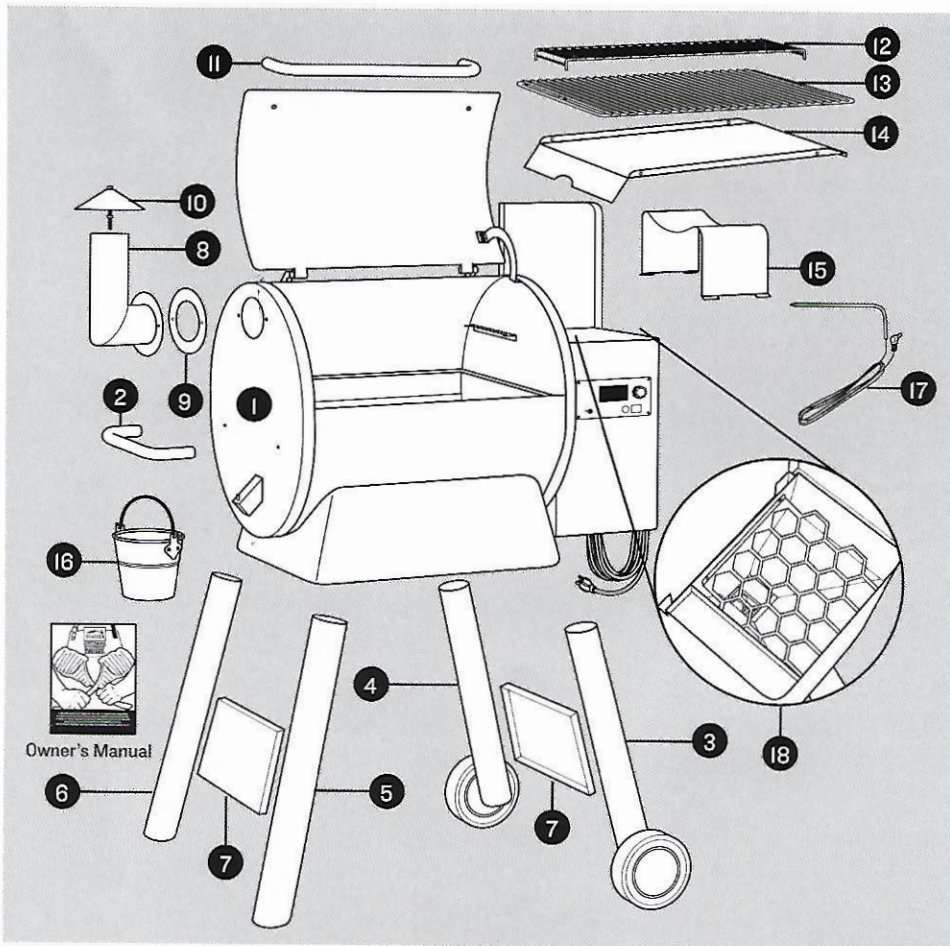


Traeger Pro 575/780 Assembly Guide 2019

PARTS LIST



BLISTER PACK PARTS NEEDED

A Bolts: 5/16-18 button head (8 pcs)



B 5/16 Washers (16 pcs)



C 5/16 Spring Washers (8 pcs)



D Hex Nuts: 5/16-18 (8 pcs)



E Bolts: 1/4-20x.6 (12 pcs)



F Bolts: 1/4-20x.75 (2 pcs)



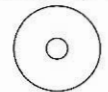
G 1/4-20 Washers (8 pcs)



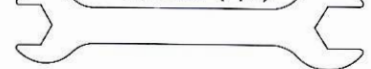
H Hex Nuts: 1/4-20 (2 pcs)



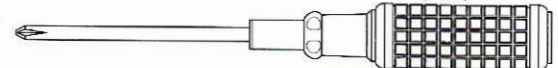
I Mica Washers (4 pcs)



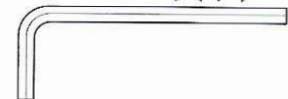
Wrench (1 pc)



Screwdriver (1 pc)



Hex Key (1 pc)



Optional Equipment:
6-Pack

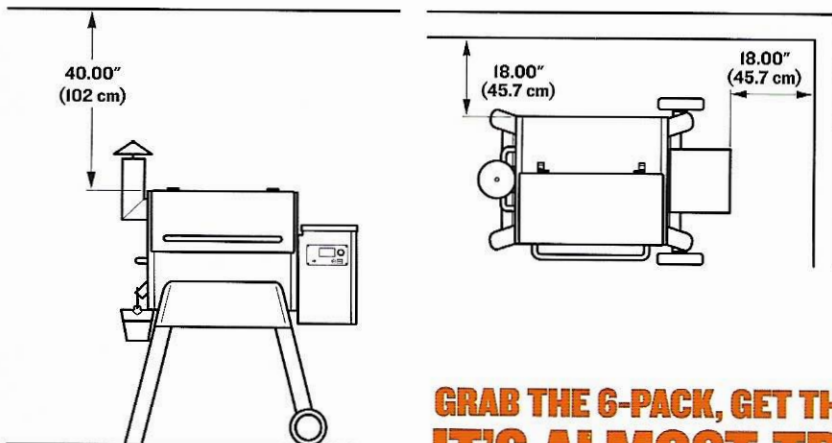


WARNING!

- When operating this grill under overhead combustibles, a **MINIMUM** of 40 inches (102 cm) is required.
- When operating this grill, maintain a **MINIMUM** distance of 18 inches (45.7 cm) from the grill to combustibles.

IMPORTANT!

- The grill is very heavy. Always lift the grill with **TWO** people.



GRAB THE 6-PACK, GET THE TOOLS, CUE THE RADIO — IT'S ALMOST TRAEGER'ING TIME.

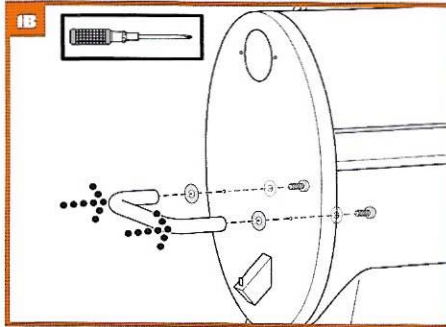
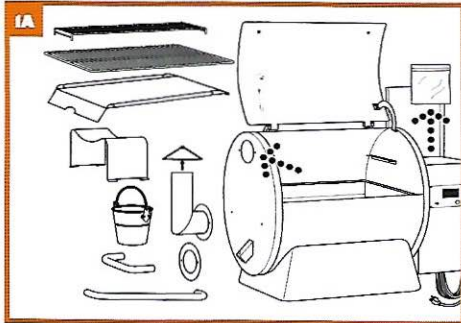
READ ALL INSTRUCTIONS BEFORE INSTALLING AND USING THE GRILL

Traeger'ing is more fun with friends! (No, really, you will need two people to lift the grill.)

1 INSTALL SIDE LIFT HANDLE



NOTE: You should assemble grill on a clean, flat surface, as you will need to lay it on its back as well as its front at different times during assembly.



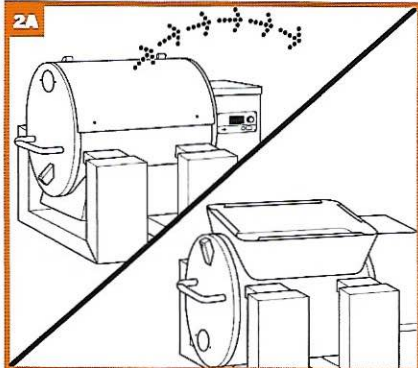
In this step: 2 1 x 2 G x 2 E x 2

2 INSTALL LEGS

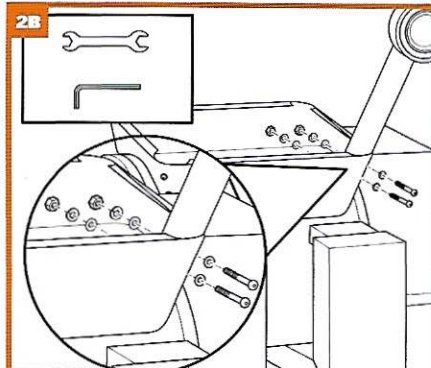


NOTE: To protect the finish of the grill, use the plastic bag covering the grill as a barrier between grill and cardboard when assembling the legs.

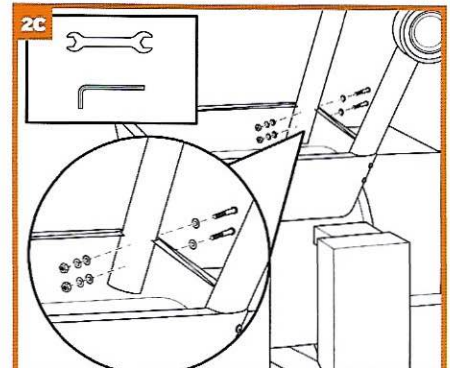
NOTE: When fastening legs to grill body, fasteners assemble in this order: A B Leg B C D



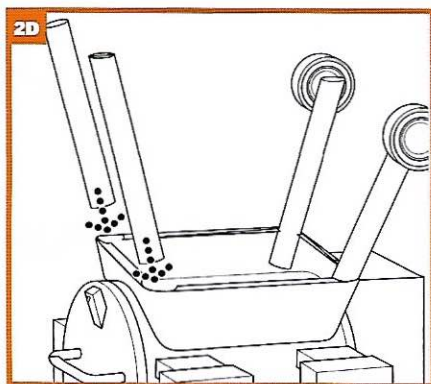
Grill is very heavy. Always lift grill with two people.



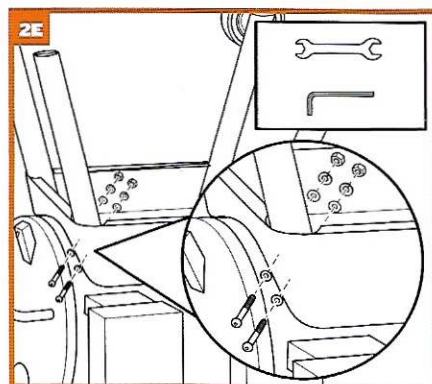
In this step: 4
A x 2 B x 4 C x 2 D x 2



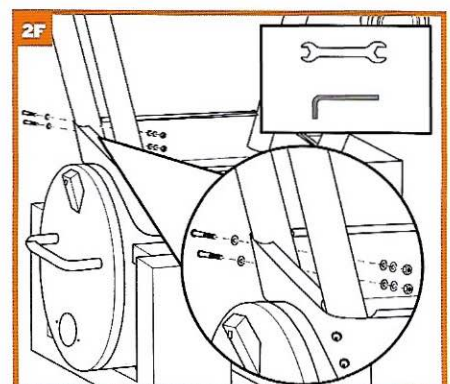
In this step: 3
A x 2 B x 4 C x 2 D x 2



In this step: 5 6



In this step: 6
A x 2 B x 4 C x 2 D x 2

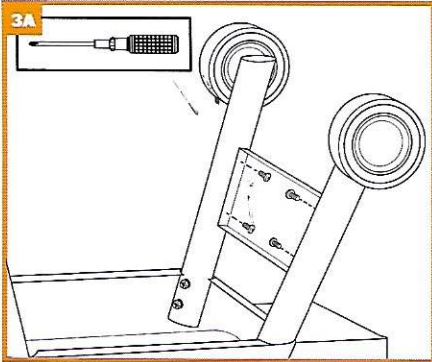


In this step: 5
A x 2 B x 4 C x 2 D x 2

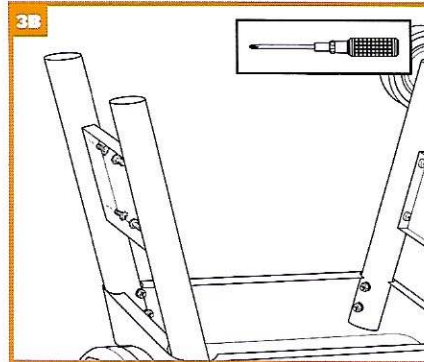
3 INSTALL LEG BRACES



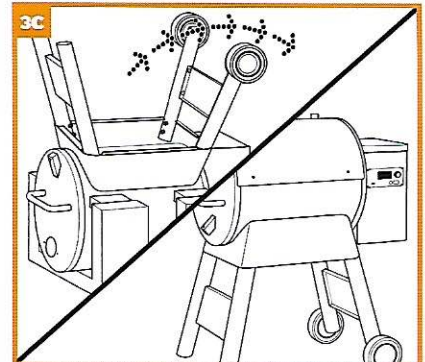
THIS WILL REQUIRE TWO PEOPLE.



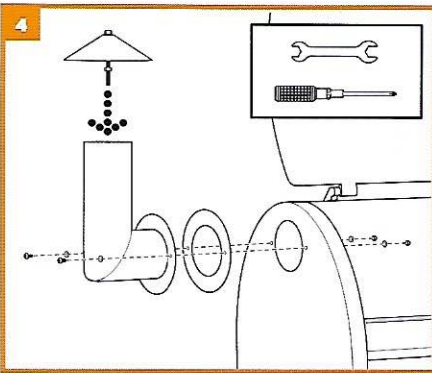
In this step: 7 + E x 4



In this step: 7 + E x 4

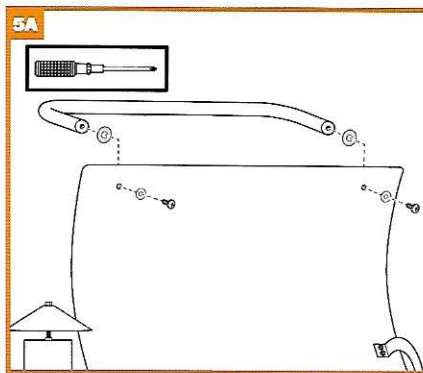
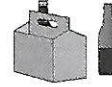


4 ATTACH SMOKE STACK/ CHIMNEY CAP ASSEMBLY

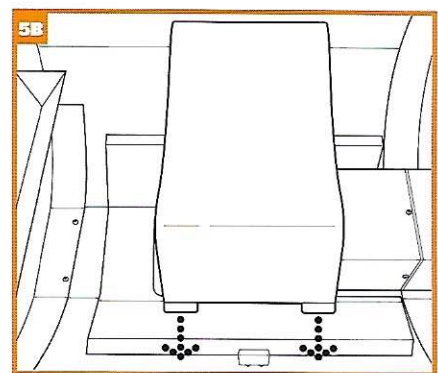


In this step: 8 9 10 F x 2 G x 4 H x 2

5 ATTACH HANDLE AND PLACE HEAT Baffle AND DRIP TRAY

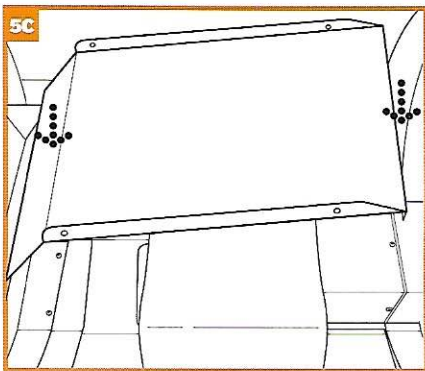


In this step: 11 I x 2 G x 2 E x 2



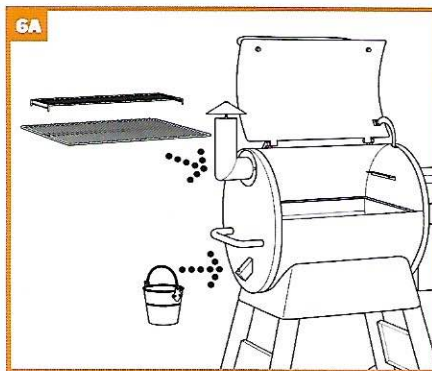
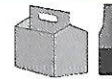
In this step: 15

5 (continued)

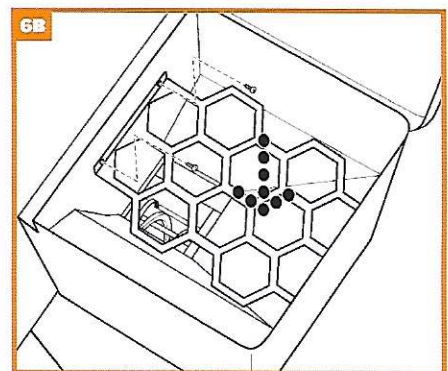


In this step: 14

6 PLACE GRILL GRATES, BUCKET, AND HOPPER GRATE



In this step: 12 13 16



In this step: 18



YOU ARE READY TO SEASON YOUR GRILL AND GET TRAEGER'ING!
Refer to your Owner's Manual for operation instructions.